

Simply Solutions



FEATURE

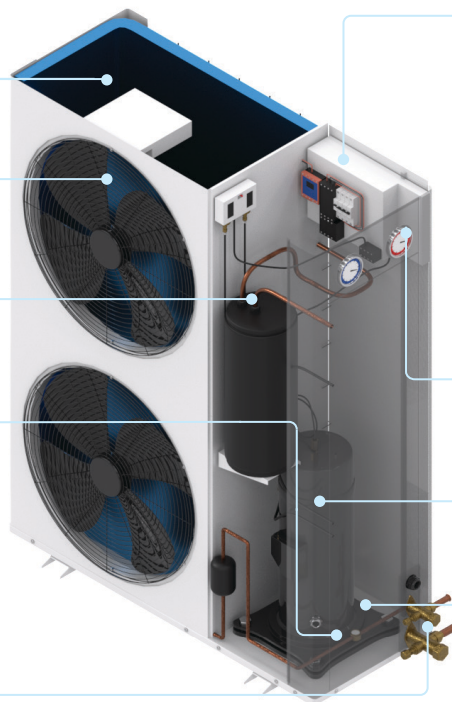
Blue Coated Fin

6 Pole Condenser fan motor

Maintenance Simplification

Moisture Indicator

Easy Installation and Connecting



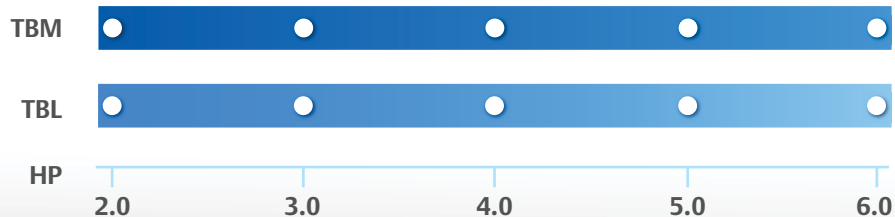
- Phase Protection
- Under/ Over Voltage Protection
- Magnetic contactor
- Thermal overload relay
- Dual pressure switch

Suction/ Discharge Pressure Gauge

Scroll Compressor

Electric Galvanized Casing with Powder Coating

PRODUCT LINE- UP



- Easy Installation
- Blue Coated Fin
- Maintenance simplification
- 6 pole condenser fan motor



R404A
LOW TEMP

2.0 6.0 HP

Model	Amb (°C)	Capacity (kW)							Power Input (kW)						
		Evaporating Temperature (°C)							Evaporating Temperature (°C)						
		-40	-35	-30	-25	-20	-15	-10	-40	-35	-30	-25	-20	-15	-10
TBL200	32	1.18	1.48	1.83	2.24	2.70	3.23	3.79	1.34	1.40	1.46	1.53	1.65	1.76	1.84
	38	1.09	1.37	1.68	2.03	2.42	2.89	3.35	1.46	1.55	1.67	1.74	1.84	1.93	2.05
	43	1.01	1.25	1.55	1.86	2.23	2.63	3.02	1.59	1.69	1.79	1.89	1.99	2.09	2.21
TBL300	32	1.55	1.95	2.40	2.93	3.53	4.20	4.91	1.68	1.78	1.87	1.98	2.12	2.24	2.39
	38	1.43	1.78	2.20	2.67	3.19	3.77	4.37	1.86	1.98	2.09	2.21	2.34	2.48	2.63
	43	1.32	1.64	2.03	2.45	2.90	3.42	3.95	2.03	2.16	2.29	2.41	2.54	2.68	2.84
TBL400	32	2.34	2.94	3.62	4.42	5.33	6.35	7.42	2.29	2.43	2.58	2.73	2.89	3.08	3.28
	38	2.16	2.69	3.32	4.03	4.83	5.71	6.61	2.55	2.71	2.88	3.04	3.22	3.42	3.63
	43	1.99	2.48	3.07	3.70	4.41	5.18	5.99	2.79	2.96	3.15	3.32	3.51	3.72	3.94
TBL500	32	2.83	3.56	4.39	5.37	6.47	7.71	9.03	2.69	2.85	3.01	3.19	3.39	3.60	3.84
	38	2.61	3.26	4.03	4.88	5.86	6.93	8.05	2.98	3.18	3.36	3.56	3.77	4.01	4.25
	43	2.41	3.01	3.72	4.49	5.53	6.31	7.29	3.27	3.48	3.69	3.88	4.11	4.34	4.59
TBL600	32	3.36	4.21	5.18	6.31	7.59	8.97	10.39	3.14	3.34	3.54	3.76	4.01	4.30	4.61
	38	3.09	3.85	4.75	5.19	6.85	8.05	9.21	3.50	3.73	3.97	4.11	4.47	4.76	5.08
	43	2.87	3.55	4.39	5.26	6.24	7.29	8.35	3.83	4.08	4.34	4.58	4.86	5.15	5.46

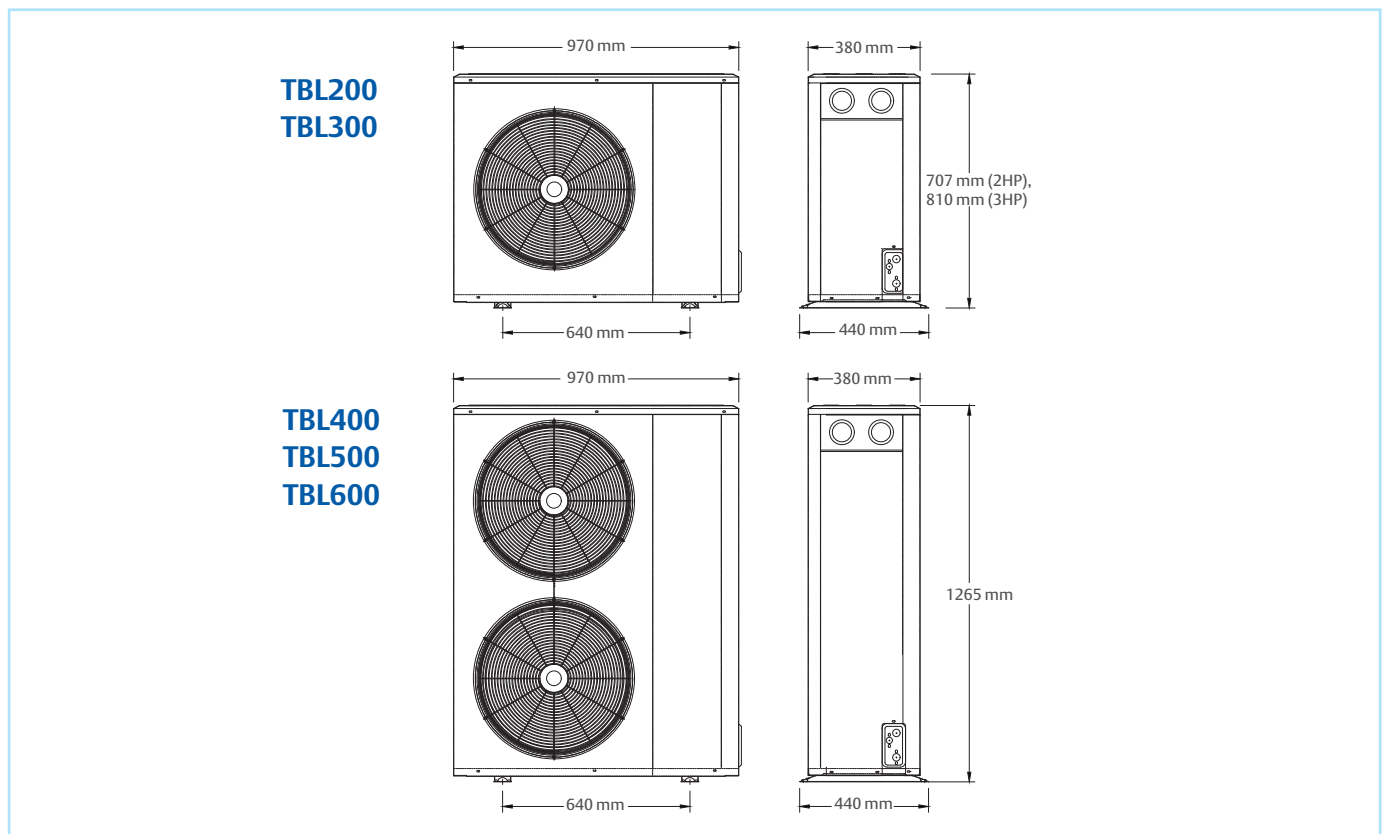
Note : Cooling capacity data based on a suction superheat 10K

Condensing Units TB Series

TECNICAL DATA

MODEL NAME	TBL200	TBL300	TBL400	TBL500	TBL600	
COMPRESSOR TYPE	Scroll with Liquid injection					
COMPRESSOR	Rated Input Volt	AC 380V/3PH/50Hz				
	RLA Amps	2.5	4.5	8.3	9.6	9.6
	MCC Amps	4	5.8	13	15	15
	LRA Amps	22	45	60	70	82
	Oil Type	POE				
	Oil Charge (L)	1.06	1.06	1.57	1.57	1.57
CONDENSER	Air Flow (M ³ /h)	3800	3800	7600	7600	7600
	Fan Motor	1x20"	1x20"	2x20"	2x20"	2x20"
	Total Fan Power (W)	140	140	280	280	280
	Receiver(L)	4	4	4	6	6
	Accumulator	3.3	3.3	3.3	3.3	3.3
	Suction Tube Size	3/4"	3/4"	3/4"	7/8"	7/8"
	Liquid Tube Size	3/8"	3/8"	3/8"	1/2"	1/2"
Weight (Kg)	80	83	88	123	127	

Dimension



- Easy Installation
- Blue Coated Fin
- Maintenance simplification
- 6 pole condenser fan motor



R404A

MEDIUM TEMP

2.0 **6.0** **HP**

Model	Amb (°C)	Capacity (kW)						Power Input (kW)					
		Evaporating Temperature (°C)						Evaporating Temperature (°C)					
		-20	-15	-10	-5	0	5	-20	-15	-10	-5	0	5
TBM200	32	2.28	2.78	3.38	4.10	4.86	5.58	1.70	1.76	1.76	1.78	1.82	1.87
	38	1.89	2.38	2.93	3.55	4.24	4.93	2.03	2.03	2.03	2.04	2.05	2.12
	43	1.66	2.11	2.61	3.17	3.81	4.53	2.15	2.25	2.25	2.25	2.26	2.27
TBM300	32	3.32	4.05	4.84	5.74	6.70	7.85	2.10	2.16	2.24	2.32	2.40	2.45
	38	2.94	3.59	4.34	5.14	6.05	7.02	2.39	2.46	2.52	2.61	2.67	2.75
	43	2.60	3.19	3.86	4.63	5.44	6.56	2.67	2.99	2.82	2.87	2.94	2.93
TBM400	32	4.86	5.96	7.18	8.56	10.14	11.82	3.28	3.30	3.42	3.53	3.63	3.79
	38	4.30	5.30	6.44	7.69	9.20	10.63	3.67	3.75	3.84	3.96	4.03	4.23
	43	3.83	4.73	5.76	6.93	8.25	9.68	4.09	4.18	4.28	4.37	4.48	4.64
TBM500	32	5.91	7.12	8.66	10.28	12.13	14.08	3.70	3.75	3.83	3.97	4.11	4.31
	38	5.24	6.40	7.75	9.23	10.87	12.94	4.16	4.20	4.33	4.45	4.62	4.82
	43	4.63	5.70	6.88	8.28	9.77	11.77	4.67	4.74	4.85	4.95	5.10	5.16
TBM600	32	6.90	8.51	10.26	12.20	14.32	16.60	4.64	4.78	4.93	5.11	5.35	5.64
	38	6.08	7.48	9.07	10.85	12.77	14.87	5.31	5.46	5.63	5.81	6.08	6.38
	43	5.32	6.60	8.16	9.67	11.43	13.35	5.95	6.11	6.21	6.50	6.77	7.11

Note : Cooling capacity data based on a suction superheat 10K

Condensing Units TB Series

TECNICAL DATA

MODEL NAME	TBM200	TBM300	TBM400	TBM500	TBM600	
COMPRESSOR TYPE	Scroll					
COMPRESSOR	Rated Input Volt	AC 380V/3PH/50Hz				
	RLA Amps	4.5	6.1	8.3	9.6	9.6
	MCC Amps	7	9.5	13	15	15
	LRA Amps	30	45	60	70	82
	Oil Type	POE				
	Oil Charge (L)	1.06	1.06	1.57	1.57	1.57
CONDENSER	Air Flow (M ³ /h)	3800	3800	7600	7600	7600
	Fan Motor	1x20"	1x20"	2x20"	2x20"	2x20"
	Total Fan Power (W)	140	140	280	280	280
	Receiver (L)	4	4	4	6	6
	Suction Tube Size	3/4"	3/4"	3/4"	7/8"	7/8"
	Liquid Tube Size	3/8"	3/8"	3/8"	1/2"	1/2"
Weight (Kg)	77	81	87	119	121	

Dimension

