

PattonPak Scroll Condensing Units



Condensing Units



- Reliable and efficient Copeland Hermetic Compressors
- Supplied c/w HP/LP, Crankcase Heater, Oil Separator, Liquid Receiver, Liquid Line Drier & Sightglass, Suction Accumulator, Electrical box fully wired c/w Main Isolator in a ColorBond housing
- Twin fan models include fan cycling pressure switch
- All condenser coils supplied with "Patton Coat" fin and coil protective coating.

PZB SCROLL 325 - 600

3.3 6.0 hp

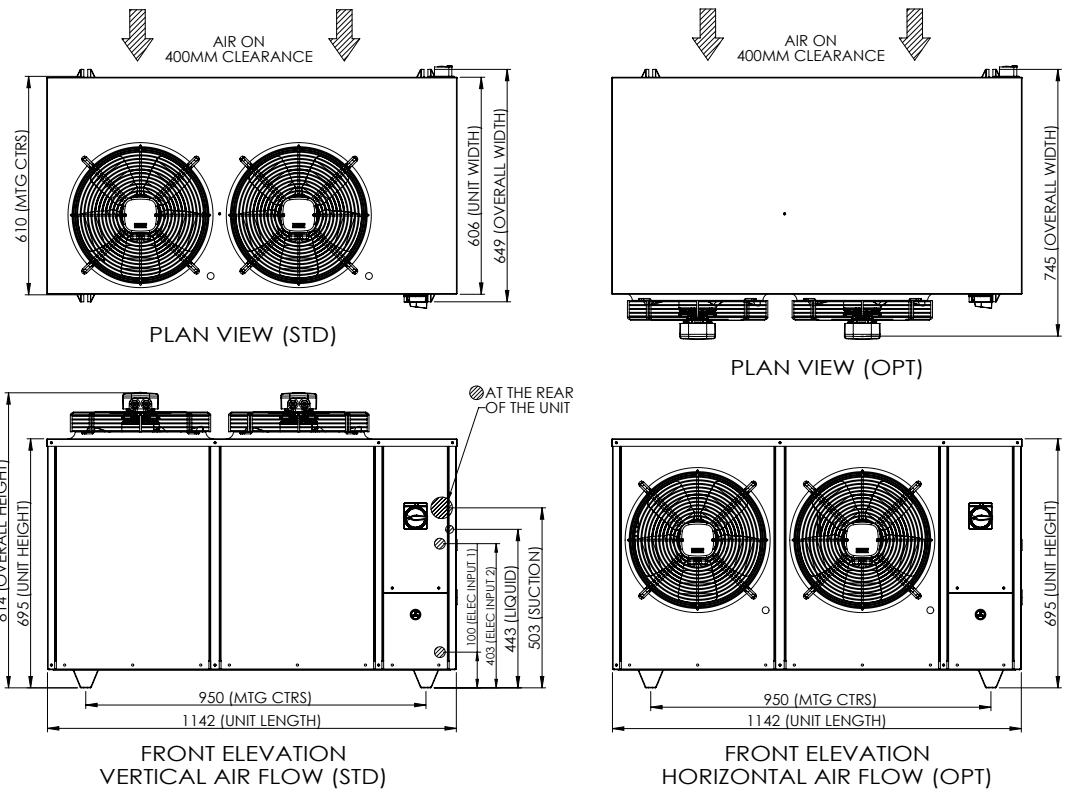
Copeland

CAPACITY (Watts) @ 32°C Ambient

Model	Nom. hp	Refrigerant	Evaporating Temp °C								
			-25	-20	-15	-10	-5	0	5	10	15
PZB325	3.3	R134a	-	-	-	3400	4200	5250	6250	7400	8800
		R404A	2705	3475	4250	5125	6175	7375	8720	-	-
PZB350	3.5	R134a	-	-	-	4000	5000	5900	7200	8450	10000
		R404A	2950	3660	4600	5450	6700	8150	9820	-	-
PZB400	4.0	R134a	-	-	-	4600	5900	7000	8300	9900	11000
		R404A	3850	4750	5750	6850	8250	9760	11500	-	-
PZB500	5.0	R134a	-	-	-	5200	6650	8500	10100	12110	14350
		R404A	4800	5800	7150	8600	10400	12320	14600	-	-
PZB600	6.0	R134a	-	-	-	6600	8200	10100	12200	14600	17000
		R404A	6000	7200	8680	10250	12350	14250	16300	-	-

PATTONPAK PZB 325 - 600

DIMENSIONS



PZB325
PZB350
PZB400
PZB500
PZB600

NTS (mm)

TECHNICAL DATA

MODEL	COMPRESSOR					CONDENSOR					RECEIVER	CONNECTION		Noise Level (dbA) (3)	Weight (kg)
	NOM. hp	MODEL	VOLTAGE	RLA Amps	LRA Amps	Model	Airflow l/sec	Fan Motor(s)			Capacity (kg) (2)	Suction	Liquid		
								No. (1)	Watts	Amps					
PZB325	3.3	ZB21KQE-TFD	380-420/3/50	7.4	40.0	CPK350	1933	2 x 350	290	1.4	6.2	3/4"	1/2"	57	110
PZB350	3.5	ZB26KQE-TFD	380-420/3/50	6.4	46.0	CPK350	1933	2 x 350	290	1.4	6.2	3/4"	1/2"	57	112
PZB400	4.0	ZB29KQE-TFD	380-420/3/50	10.0	50.0	CPK450	1859	2 x 350	290	1.4	6.2	3/4"	1/2"	58	114
PZB500	5.0	ZB38KQE-TFD	380-420/3/50	12.8	65.5	CPK500	1787	2 x 350	290	1.4	8.8	7/8"	1/2"	58	122
PZB600	6.0	ZB45KQE-TFD	380-420/3/50	13.1	74.0	CPK600	1654	2 x 350	290	1.4	8.8	7/8"	1/2"	58	125

NOTES:

- 500mm Fans - 220-240/1/50 630mm
Fans - 380-420/3/50
- R404A pump down capacity shown @ 80% full for 32°C liquid temperature
- All noise level ratings are "free field" based at a distance of 3.0 mtrs from source and are given as a guide only.
- Electrically complies to AS/NZS 60335.2.89 : 2002 + A1 - A3 (selected clauses)

Condensing Units



- Reliable and efficient Copeland Hermetic Compressors
- Supplied c/w HP/LP, Crankcase Heater, Oil Separator, Liquid Receiver, Liquid Line Drier & Sightglass, Suction Accumulator, Electrical box fully wired c/w Main Isolator in a ColorBond housing
- Twin fan models include fan cycling pressure switch
- All condenser coils supplied with "Patton Coat" fin and coil protective coating.

PZB SCROLL 650 - 1500

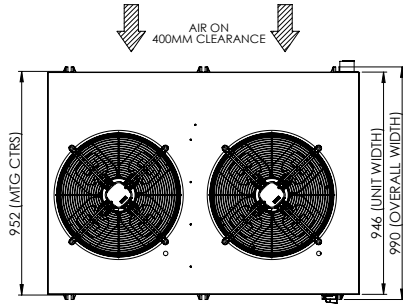
6.5 15 hp

Copeland

CAPACITY (Watts) @ 32°C Ambient

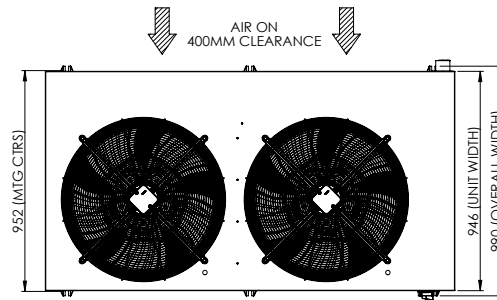
Model	Nom. hp	Refrigerant	Evaporating Temp °C								
			-25	-20	-15	-10	-5	0	5	10	15
PZB650	6.5	R134a	-	-	-	7340	9060	10920	13195	15620	18210
		R404A	6500	7700	9500	11745	14325	16675	19355	-	-
PZB800	8.0	R134a	-	-	-	8080	9930	12010	14485	17390	21210
		R404A	7950	9500	11625	13700	16625	19355	22805	-	-
PZB900	9.0	R134a	-	-	-	9680	11980	14760	17865	21270	24010
		R404A	9600	11250	13405	15825	18985	22305	25485	-	-
PZB1000	10.0	R134a	-	-	-	11230	13890	17050	20475	24610	28080
		R404A	11300	13250	15625	18500	22045	25695	29765	-	-
PZB1200	12.0	R134a	-	-	-	12120	14770	19120	22765	27210	32010
		R404A	13100	15050	17700	21075	24950	29555	34175	-	-
PZB1300	13.0	R134a	-	-	-	13770	17070	20960	25145	29890	34990
		R404A	15100	17300	19990	22995	26595	31045	36065	-	-
PZB1500	15.0	R134a	-	-	-	16080	20050	24410	29345	35210	41510
		R404A	16990	19000	22685	26645	31965	37505	43575	-	-

DIMENSIONS



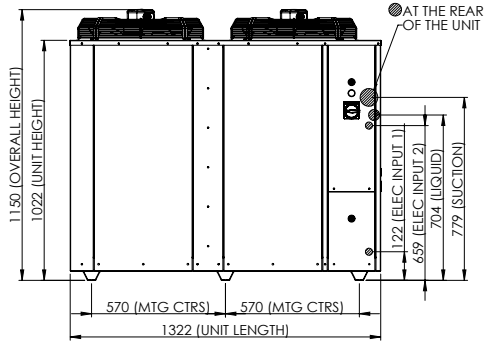
PZB650
PZB800
PZB900
PZB1000

PLAN VIEW
VERTICAL AIR FLOW

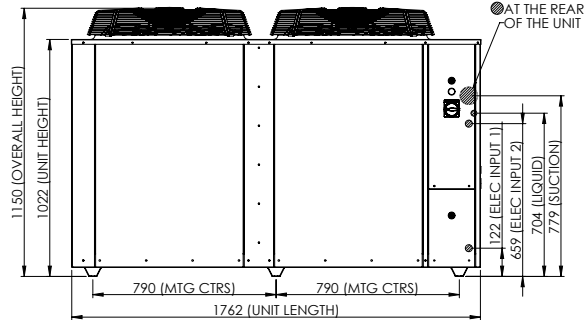


PZB1200
PZB1300
PZB1500

PLAN VIEW



FRONT ELEVATION



FRONT ELEVATION

NTS (mm)

TECHNICAL DATA

MODEL	COMPRESSOR					CONDENSOR					RECEIVER	CONNECTION		Noise Level (dbA) (3)	Weight (kg)
	NOM. hp	MODEL	VOLTAGE	RLA Amps	LRA Amps	Model	Airflow l/sec	Fan Motor(s)			Capacity (kg) (2)	Suction	Liquid		
								No. (1)	Watts	Amps					
PZB650	6.5	ZB48KQE-TFD	380-420/3/50	13.6	101.0	CPK650	4320	2 x 500	1090	4.8	8.8	1-1/8"	5/8"	60	135
PZB800	8.0	ZB58KQE-TFD	380-420/3/50	16.4	95.0	CPK800	3927	2 x 500	1090	4.8	10.4	1-1/8"	5/8"	60	182
PZB900	9.0	ZB66KQE-TFD	380-420/3/50	17.5	111.0	CPK900	3750	2 x 500	1090	4.8	10.4	1-1/8"	5/8"	61	208
PZB1000	10.0	ZB76KQE-TFD	380-420/3/50	20.0	118.0	CPK1000	3582	2 x 500	1090	4.8	10.4	1-3/8"	5/8"	62	212
PZB1200	12.0	ZB88KQE-TFD	380-420/3/50	22.3	118.0	CPK1200	7380	2 x 630	2500	5.0	10.4	1-3/8"	5/8"	63	220
PZB1300	13.0	ZB95KQE-TFD	380-420/3/50	26.4	140.0	CPK1300	7050	2 x 630	2500	5.0	10.4	1-3/8"	5/8"	65	225
PZB1500	15.0	ZB114KQE-TFD	380-420/3/50	28.6	174.0	CPK1500	6730	2 x 630	2500	5.0	20.0	1-5/8"	7/8"	65	235

NOTES:

- 500mm Fans - 220-240/1/50 630mm Fans - 380-420/3/50
- R404A pump down capacity shown @ 80% full for 32°C liquid temperature
- All noise level ratings are "free field" based at a distance of 3.0 mtrs from source and are given as a guide only.
- Electrically complies to AS/NZS 60335.2.89 : 2002 + A1 - A3 (selected clauses)

Condensing Units



- Reliable and efficient Copeland Hermetic Compressors
- Supplied c/w HP/LP, Crankcase Heater, Oil Separator, Liquid Receiver, Liquid Line Drier & Sightglass, Suction Accumulator, Electrical box fully wired c/w Main Isolator in a ColorBond housing
- Twin fan models include fan cycling pressure switch
- All condenser coils supplied with "Patton Coat" fin and coil protective coating.

PZBS SCROLL 200 - 550

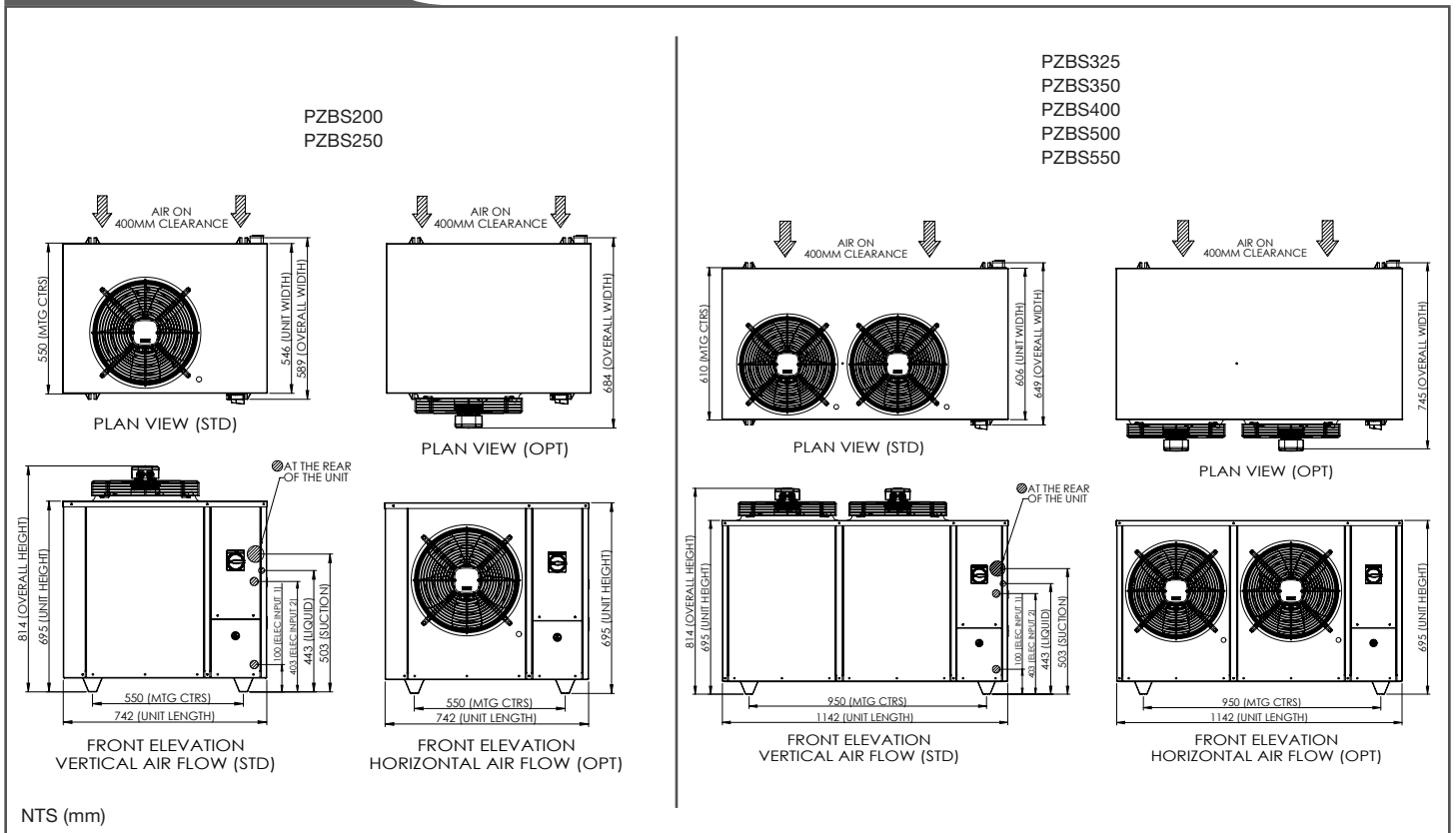
2.0 5.5 hp

Copeland

CAPACITY (Watts) @ 32°C Ambient

Model	Nom. hp	Refrigerant	Evaporating Temp °C								
			-25	-20	-15	-10	-5	0	5	10	15
PZBS200	2.0	R134a	-	-	-	1760	2360	3100	4150	4850	5850
		R404A	1880	2400	2900	3500	4200	5000	5900	-	-
PZBS250	2.5	R134a	-	-	-	2340	2950	3600	4400	5400	6400
		R404A	2290	2850	3500	4200	5100	6000	7200	-	-
PZBS325	3.3	R134a	-	-	-	3400	4200	5250	6250	7400	8800
		R404A	2705	3475	4250	5125	6175	7375	8720	-	-
PZBS350	3.5	R134a	-	-	-	4000	5000	5900	7200	8450	10000
		R404A	2950	3660	4600	5450	6700	8150	9820	-	-
PZBS400	4.0	R134a	-	-	-	4600	5900	7000	8300	9900	11000
		R404A	3850	4750	5750	6850	8250	9760	11500	-	-
PZBS500	5.0	R134a	-	-	-	5200	6650	8500	10100	12110	14350
		R404A	4800	5800	7150	8600	10400	12320	14600	-	-
PZBS550	5.5	R134a	-	-	-	5500	7000	8850	10480	12560	15000
		R404A	5150	6450	7750	9550	11450	13700	16110	-	-

DIMENSIONS



TECHNICAL DATA

MODEL	COMPRESSOR					CONDENSOR					RECEIVER	CONNECTION		Noise Level (dbA) (3)	Weight (kg)
	NOM. hp	MODEL	VOLTAGE	RLA Amps	LRA Amps	Model	Airflow l/sec	Fan Motor(s)			Capacity (kg) (2)	Suction	Liquid		
								No. (1)	Watts	Amps					
PZBS200	2.0	ZB15KQE-PFJ	220-240/1/50	12.8	58.0	CPK230	969	1 x 350	145	0.7	3.7	3/4"	3/8"	56	85
PZBS250	2.5	ZB19KQE-PFJ	220-240/1/50	12.8	61.0	CPK250	931	1 x 350	145	0.7	3.7	3/4"	3/8"	56	85
PZBS325	3.3	ZB21KQE-PFJ	220-240/1/50	16.4	82.0	CPK350	1933	2 x 350	290	1.4	6.2	3/4"	1/2"	57	110
PZBS350	3.5	ZB26KQE-PFJ	220-240/1/50	18.0	97.0	CPK350	1933	2 x 350	290	1.4	6.2	3/4"	1/2"	57	112
PZBS400	4.0	ZB29KQE-PFJ	220-240/1/50	23.5	114.0	CPK450	1859	2 x 350	290	1.4	6.2	3/4"	1/2"	57	114
PZBS500	5.0	ZB38KQE-PFJ	220-240/1/50	32.3	142.0	CPK500	1787	2 x 350	290	1.4	8.8	7/8"	1/2"	58	122
PZBS550	5.5	ZB42KQE-PFJ	220-240/1/50	35.7	150.0	CPK600	1654	2 x 350	290	1.4	8.8	7/8"	1/2"	58	125

NOTES:

- All fans 220-240/1/50
- R404A pump down capacity @ 80% full for 32°C liquid temp.
- All noise level ratings are "free field" based at a distance of 3.0 mtrs from source and are given as a guide only.
- Electrically complies to AS/NZS 60335.2.89 : 2002 + A1 - A3 (selected clauses)

Condensing Units



- Reliable and efficient Copeland Hermetic Compressors
- Supplied c/w HP/LP, Crankcase Heater, Oil Separator, Liquid Receiver, Liquid Line Drier & Sightglass, Suction Accumulator, Electrical box fully wired c/w Main Isolator in a ColorBond housing
- Twin fan models include fan cycling pressure switch
- All condenser coils supplied with "Patton Coat" fin and coil protective coating.

PZF SCROLL 300 - 1500

3 15 hp

Copeland

CAPACITY (Watts) @ 32°C Ambient

Model	Nom. hp	Refrigerant	Evaporating Temp °C									
			-40	-35	-30	-25	-20	-15	-10	-5	0	5
PZF300	3.0	R404A	1440	1845	2295	2760	3450	4050	4900	5750	6850	7950
PZF350	3.5	R404A	1850	2250	2820	3480	4225	5000	5910	7005	8140	9160
PZF400	4.0	R404A	2240	2780	3410	4160	5020	6030	7150	8300	9780	11200
PZF500	5.0	R404A	2685	3445	4220	5190	6290	7490	8900	10300	11880	13820
PZF600	6.0	R404A	3190	4120	5090	6150	7460	8940	10450	12400	14350	16310
PZF750	7.5	R404A	4245	5365	6615	8015	9605	11385	13205	15445	17650	20060
PZF1000	10.0	R404A	5455	7375	9205	11205	13385	15555	18265	21015	24050	27480
PZF1300	13.0	R404A	7035	9045	11375	13615	16265	19245	22250	25965	29600	33610
PZF1500	15.0	R404A	8225	10225	12585	15325	18445	21655	25585	29470	33645	37340

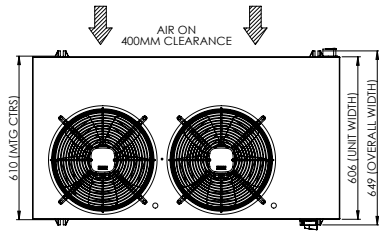
Shaded Zone - "Liquid injection" required.

DIMENSIONS

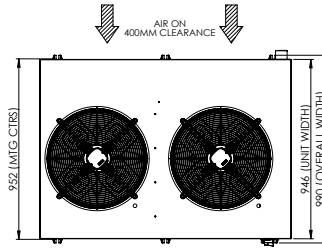
PZF300
PZF350
PZF400
PZF500
PZF600

PZF750
PZF1000

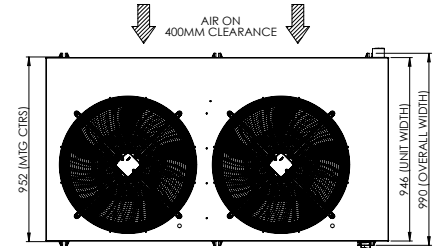
PZF1300
PZF1500



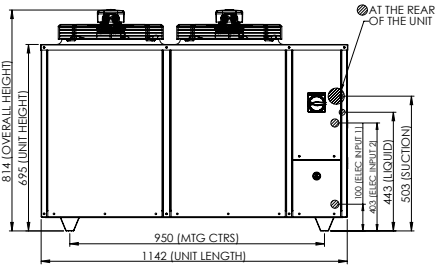
PLAN VIEW (STD)



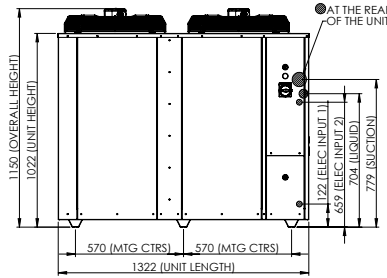
PLAN VIEW
VERTICAL AIR FLOW



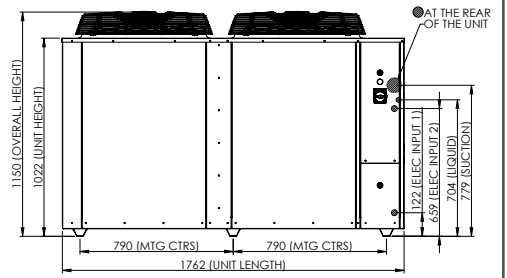
PLAN VIEW



FRONT ELEVATION
VERTICAL AIR FLOW (STD)



FRONT ELEVATION



FRONT ELEVATION

NTS (mm)

TECHNICAL DATA

MODEL	COMPRESSOR					CONDENSOR					RECEIVER	CONNECTION		Noise Level (dba) (4)	Weight (kg)
	NOM. hp	MODEL	VOLTAGE	RLA Amps	LRA Amps	Model	Airflow l/sec	Fan Motor(s)			Capacity (kg) (3)	Suction	Liquid		
								No. (2)	Watts	Amps					
PZF300	3.0	ZF09K4E-TFD	380-420/3/50	5.4	40.0	CPK350	1933	2 x 350	290	1.4	6.2	3/4"	1/2"	60	117
PZF350	3.5	ZF11K4E-TFD	380-420/3/50	6.4	46.0	CPK350	1933	2 x 350	290	1.4	6.2	7/8"	1/2"	60	119
PZF400	4.0	ZF13K4E-TFD	380-420/3/50	7.9	51.5	CPK450	1859	2 x 350	290	1.4	6.2	7/8"	1/2"	60	128
PZF500	5.0	ZF15K4E-TFD	380-420/3/50	8.1	64.0	CPK500	1787	2 x 350	290	1.4	8.8	7/8"	1/2"	61	130
PZF600	6.0	ZF18K4E-TFD	380-420/3/50	10.0	74.0	CPK600	1719	2 x 350	290	1.4	8.8	7/8"	1/2"	61	134
PZF750	7.5	ZF24K4E-TWD	380-420/3/50	16.1	99.0	CPK800	3927	2 x 500	1090	4.8	10.4	1-1/8"	5/8"	62	182
PZF1000	10.0	ZF33K4E-TWD	380-420/3/50	22.3	134.0	CPK1000	3582	2 x 500	1090	4.8	10.4	1-3/8"	5/8"	62	208
PZF1300	13.0	ZF40K4E-TWD	380-420/3/50	25.8	167.0	CPK1300	7050	2 x 630	2500	5.0	10.4	1-3/8"	5/8"	65	225
PZF1500	15.0	ZF48K4E-TWD	380-420/3/50	30.6	187.0	CPK1500	6730	2 x 630	2500	5.0	20.0	1-5/8"	7/8"	65	235

NOTES:

- All fans 220-240/1/50
- R404A pump down capacity @ 80% full for 32°C liquid temp.
- All noise level ratings are "free field" based at a distance of 3.0 mtrs from source and are given as a guide only.
- Electrically complies to AS/NZS 60335.2.89 : 2002 + A1 - A3 (selected clauses)

The company reserves the right to make specification changes without notice. NZ 01/01/2017

PATTON



The company reserves the right to make specification changes without notice. 01/01/2017



www.pattonnz.com