

Patton Scroll Condensing Units



Scroll Condensing Units



- Quiet and efficient Copeland ZB Scroll Hermetic Compressors
- Generous wide finned, low noise level condensers supplied with protective coil coating
- Wide range of factory fitted accessories available
- Specifically designed for Australasian conditions

SB LOW / MEDIUM / HIGH
SINGLE PHASE

2.0 5.5 hp

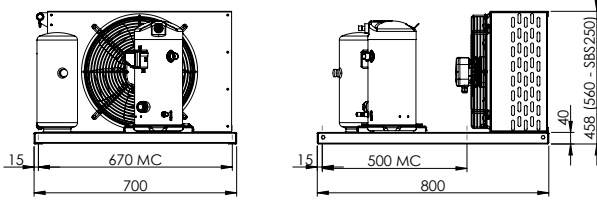
Copeland®

CAPACITY (Watts) @ 32°C Ambient

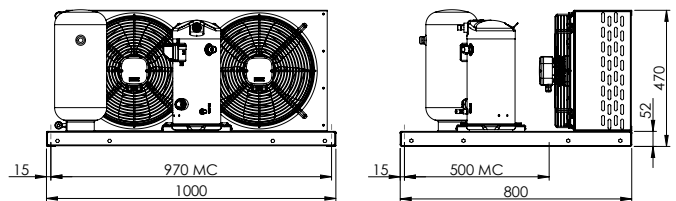
Model	Nom. hp	Refrigerant	Evaporating Temp °C								
			-25	-20	-15	-10	-5	0	5	10	15
SBS200	2.0	R134a	-	-	-	1750	2350	3100	4150	4850	5850
		R404A	1880	2400	2900	3500	4200	5000	5900	-	-
SBS250	2.5	R134a	-	-	-	2340	2950	3600	4400	5400	6400
		R404A	2290	2850	3500	4200	5100	6000	7200	-	-
SBS325	3.25	R134a	-	-	-	3400	4200	5250	6250	7400	8800
		R404A	2705	3475	4250	5125	6175	7375	8720	-	-
SBS350	3.5	R134a	-	-	-	4000	5000	5900	7200	8450	10000
		R404A	2950	3660	4600	5450	6700	8150	9820	-	-
SBS400	4.0	R134a	-	-	-	4600	5900	7000	8300	9900	11000
		R404A	3850	4750	5750	6850	8250	9760	11500	-	-
SBS500	5.0	R134a	-	-	-	5200	6650	8500	10100	12110	14350
		R404A	4800	5800	7150	8600	10400	12320	14600	-	-
SBS550	5.5	R134a	-	-	-	5500	7000	8850	10480	12560	15000
		R404A	5150	6450	7750	9550	11450	13700	16110	-	-

DIMENSIONS

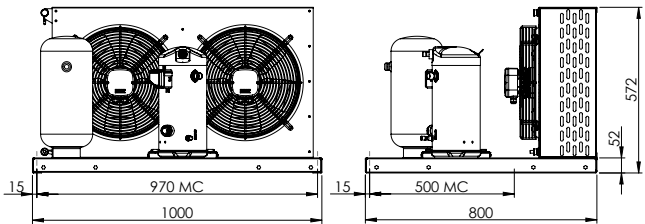
SBS200 SBS250



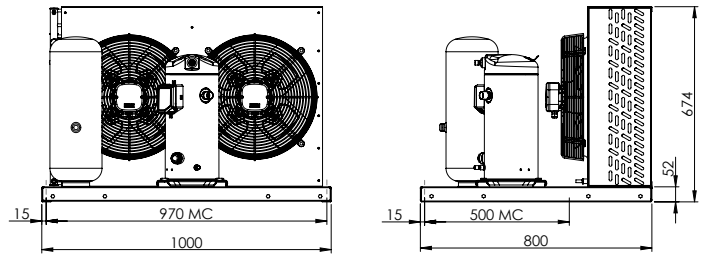
SBS325 SBS350



SBS400 SB400



SB(S)500 SBS550 SB600



NTS (mm)
MC = Mounting Bolt Centers
Accessories not shown

TECHNICAL DATA

MODEL	COMPRESSOR						CONDENSOR			RECEIVER	CONNECTION (3)		Noise Level (dba) (4)	Weight (kg)
	NOM. hp	MODEL	VOLTAGE	DISP m ³ /hr	RLA Amps	LRA Amps	Airflow l/sec	Fan Motor (1)		Capacity (kg) (2)	Rec. Outlet Valve	Comp. Suction Valve		
								Watts	Amps					
SBS200	2.0	ZB15KQE-PFJ	220-240/1/50	5.9	12.8	58.0	710	145	0.75	3.7	1/2" F.Sw	3/4" F.Sw	63	60
SBS250	2.5	ZB19KQE-PFJ	220-240/1/50	6.8	12.8	61.0	980	260	1.5	3.7	1/2" F.Sw	3/4" F.Sw	64	65
SBS325	3.25	ZB21KQE-PFJ	220-240/1/50	8.6	16.4	82.0	1460	290	1.5	6.2	1/2" F.Sw	3/4" F.Sw	64	83
SBS350	3.5	ZB26KQE-PFJ	220-240/1/50	9.9	18.0	97.0	1460	290	1.5	6.2	1/2" F.Sw	3/4" F.Sw	64	84
SBS400	4.0	ZB29KQE-PFJ	220-240/1/50	11.4	23.5	114.0	1510	290	1.5	6.2	1/2" F.Sw	3/4" F.Sw	64	99
SBS500	5.0	ZB38KCE-PFJ	220-240/1/50	14.4	32.3	142.0	1470	290	1.5	8.8	5/8" F.Sw	7/8" F.Sw	65	109
SBS550	5.5	ZB42KCE-PFJ	220-240/1/50	16.2	35.7	150.0	1550	520	3.0	8.8	5/8" F.Sw	7/8" F.Sw	65	113

NOTES:

- Fan motors are suitable for 220-240/1/50
- R404A pump down capacity shown @ 80% full for 32°C liquid temperature
- Max valve connection size shown. May reduce for different refrigerants & applications
- All noise level ratings are "free field" based at a distance of 3 metres from source and are given as a guide only
- *Capacity ratings are based on suction gas returning to compressor @ 20°C, without liquid sub-cooling. Ratings may be increased by approximately 1% for every 1.1°K of sub-cooling
- Standard condensers fitted. Ratings must not be extrapolated Check with Patton's nearest outlet for applications outside the specified range
- Pictured unit configuration subject to change and selected accessory options.

Scroll Condensing Units



- Quiet and efficient Copeland ZB Scroll Hermetic Compressors
- Generous wide finned, low noise level condensers supplied with protective coil coating
- Wide range of factory fitted accessories available
- Specifically designed for Australasian conditions

SB LOW / MEDIUM / HIGH

3.25 6.0 hp

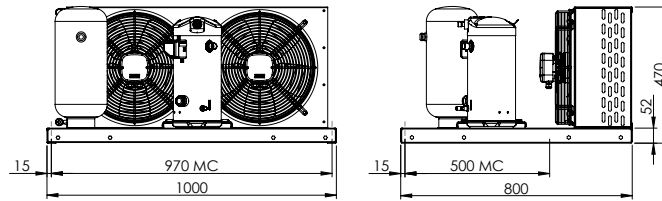
Copeland

CAPACITY (Watts) @ 32°C Ambient

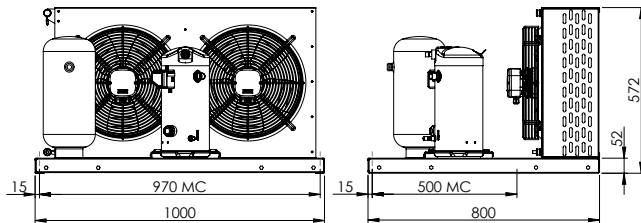
Model	Nom. hp	Refrigerant	Evaporating Temp °C								
			-25	-20	-15	-10	-5	0	5	10	15
SB325	3.25	R134a	-	-	-	3400	4200	5250	6250	7400	8800
		R404A	2705	3475	4250	5125	6175	7375	8720	-	-
SB350	3.5	R134a	-	-	-	4000	5000	5900	7200	8450	10000
		R404A	2950	3660	4600	5450	6700	8150	9820	-	-
SB400	4.0	R134a	-	-	-	4600	5900	7000	8300	9900	11000
		R404A	3850	4750	5750	6850	8250	9760	11500	-	-
SB500	5.0	R134a	-	-	-	5200	6650	8500	10100	12110	14350
		R404A	4800	5800	7150	8600	10400	12320	14600	-	-
SB600	6.0	R134a	-	-	-	6600	8200	10100	12200	14600	17000
		R404A	6000	7200	8680	10250	12350	14420	17000	-	-

DIMENSIONS

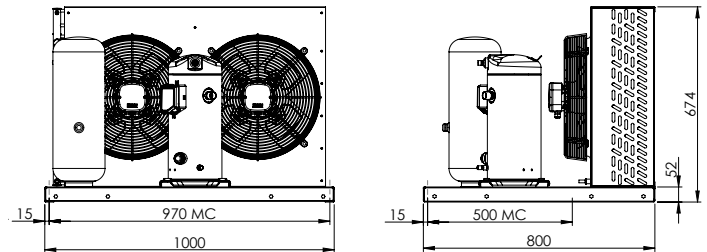
SBS325 SBS350



SBS400 SB400



SB(S)500 SBS550 SB600



NTS (mm)
MC = Mounting Bolt Centers
Accessories not shown

TECHNICAL DATA

MODEL	COMPRESSOR						CONDENSOR			RECEIVER	CONNECTION (3)		Noise Level (dbA) (4)	Weight (kg)
	NOM. hp	MODEL	VOLTAGE	DISP m ³ /hr	RLA Amps	LRA Amps	Airflow l/sec	Fan Motor (1)		Capacity (kg) (2)	Rec. Outlet Valve	Comp. Suction Valve		
								Watts	Amps					
SB325	3.25	ZB21KQE-TFD	380-420/3/50	8.6	7.2	40.0	1460	290	1.5	6.2	1/2" F.Sw	3/4" F.Sw	64	83
SB350	3.5	ZB26KQE-TFD	380-420/3/50	9.9	8.8	46.0	1460	290	1.5	6.2	1/2" F.Sw	3/4" F.Sw	64	84
SB400	4.0	ZB29KQE-TFD	380-420/3/50	11.4	7.1	50.0	1510	290	1.5	6.2	1/2" F.Sw	3/4" F.Sw	64	98
SB500	5.0	ZB38KQE-TFD	380-420/3/50	14.4	9.0	65.0	1470	290	1.5	8.8	5/8" F.Sw	7/8" F.Sw	65	109
SB600	6.0	ZB45KQE-TFD	380-420/3/50	17.1	9.1	74.0	1550	520	3.0	8.8	5/8" F.Sw	7/8" F.Sw	68	114

NOTES:

- Fan motors are suitable for 220-240/1/50
- R404A pump down capacity shown @ 80% full for 32°C liquid temperature
- Max valve connection size shown. May reduce for different refrigerants & applications
- All noise level ratings are "free field" based at a distance of 3 metres from source and are given as a guide only
- *Capacity ratings are based on suction gas returning to compressor @ 20°C, without liquid sub-cooling. Ratings may be increased by approximately 1% for every 1.1°K of sub-cooling
- Standard condensers fitted. Ratings must not be extrapolated Check with Patton's nearest outlet for applications outside the specified range
- Pictured unit configuration subject to change and selected accessory options.

Scroll Condensing Units



- Quiet and efficient Copeland ZB Scroll Hermetic Compressors
- Generous wide finned, low noise level condensers supplied with protective coil coating
- Wide range of factory fitted accessories available
- Specifically designed for Australasian conditions

SB LOW / MEDIUM / HIGH

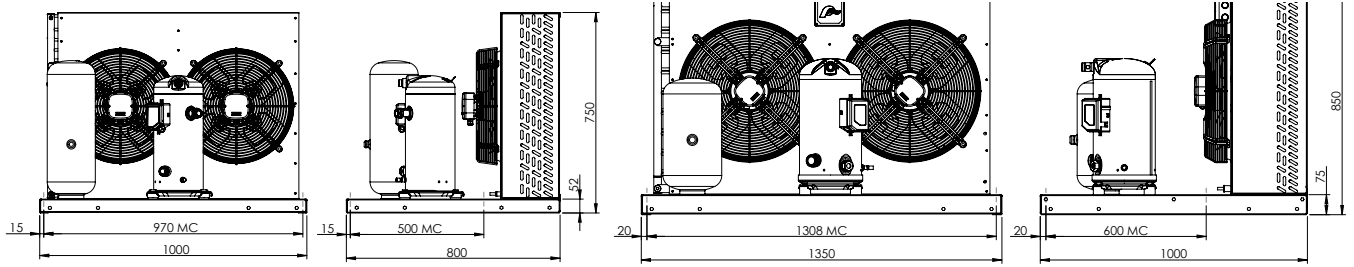
6.5 15 hp

Copeland

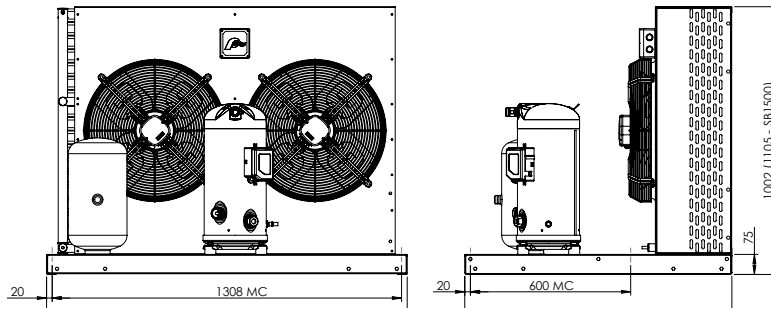
CAPACITY (Watts) @ 32°C Ambient

Model	Nom. hp	Refrigerant	Evaporating Temp °C								
			-25	-20	-15	-10	-5	0	5	10	15
SB650	6.5	R134a	-	-	-	7340	9060	10920	13195	15620	18210
		R404A	6500	7700	9500	11745	14325	16675	19355	-	-
SB800	8.0	R134a	-	-	-	8080	9930	12010	14485	17390	21210
		R404A	7950	9500	11625	13700	16625	19355	22805	-	-
SB900	9.0	R134a	-	-	-	9680	11980	14760	17865	21270	24010
		R404A	9600	11250	13405	15825	18985	22305	25485	-	-
SB1000	10.0	R134a	-	-	-	11230	13890	17050	20475	24610	28080
		R404A	11300	13250	15625	18500	22045	25695	29765	-	-
SB1200	12.0	R134a	-	-	-	12120	14770	19120	22765	27210	32010
		R404A	13100	15050	17700	21075	24950	29555	34175	-	-
SB1300	13.0	R134a	-	-	-	13770	17070	20960	25145	29890	34990
		R404A	15100	17300	19990	22995	26595	31045	36065	-	-
SB1500	15.0	R134a	-	-	-	16080	20050	24410	29345	35210	41510
		R404A	16990	19000	22685	26645	31965	37505	43575	-	-

DIMENSIONS



SB1200 SB1300 SB1500



NTS (mm)
MC = Mounting Bolt Centers
Accessories not shown

TECHNICAL DATA

MODEL	COMPRESSOR						CONDENSOR			RECEIVER	CONNECTION (3)		Noise Level (dbA) (4)	Weight (kg)
	NOM. hp	MODEL	VOLTAGE	DISP m ³ /hr	RLA Amps	LRA Amps	Airflow l/sec	Fan Motor (1)		Capacity (kg) (2)	Rec. Outlet Valve	Comp. Suction Valve		
								Watts	Amps					
SB650	6.5	ZB48KQE-TFD	380-420/3/50	18.8	13.6	101.0	1670	520	3.0	8.8	5/8" F.Sw	7/8" F.Sw	62	123
SB800	8.0	ZB58KQE-TFD	380-420/3/50	22.1	16.4	95.0	2550	940	4.0	10.4	7/8" F.Sw	1-1/8" F.Sw	62	166
SB900	9.0	ZB66KQE-TFD	380-420/3/50	25.7	17.5	111.0	2360	940	4.0	10.4	7/8" F.Sw	1-3/8" F.Sw	63	193
SB1000	10.0	ZB76KQE-TFD	380-420/3/50	28.8	20.0	118.0	2360	940	4.0	10.4	7/8" F.Sw	1-3/8" F.Sw	64	198
SB1200	12.0	ZB88KQE-TFD	380-420/3/50	33.2	22.3	118.0	2950	940	4.0	10.4	7/8" F.Sw	1-3/8" F.Sw	64	226
SB1300	13.0	ZB95KQE-TFD	380-420/3/50	36.4	26.4	140.0	2950	940	4.0	10.4	7/8" F.Sw	1-3/8" F.Sw	67	258
SB1500	15.0	ZB114KQE-TFD	380-420/3/50	43.3	28.6	174.0	3610	940	4.0	20.0	7/8" F.Sw	1-5/8" F.Sw	67	275

NOTES:

- Fan motors are suitable for 220-240/1/50
- R404A pump down capacity shown @ 80% full for 32°C liquid temperature
- Max valve connection size shown. May reduce for different refrigerants & applications
- All noise level ratings are "free field" based at a distance of 3 metres from source and are given as a guide only
- *Capacity ratings are based on suction gas returning to compressor @ 20°C, without liquid sub-cooling. Ratings may be increased by approximately 1% for every 1.1°K of sub-cooling
- Standard condensers fitted. Ratings must not be extrapolated Check with Patton's nearest outlet for applications outside the specified range
- Pictured unit configuration subject to change and selected accessory options.

Scroll Condensing Units



- Quiet and efficient Copeland ZF Scroll Compressors
- Generous wide finned, low noise level condensers supplied with protective coil coating
- Wide range of factory fitted accessories available
- Specifically designed for Australasian conditions

SK LOW / MEDIUM

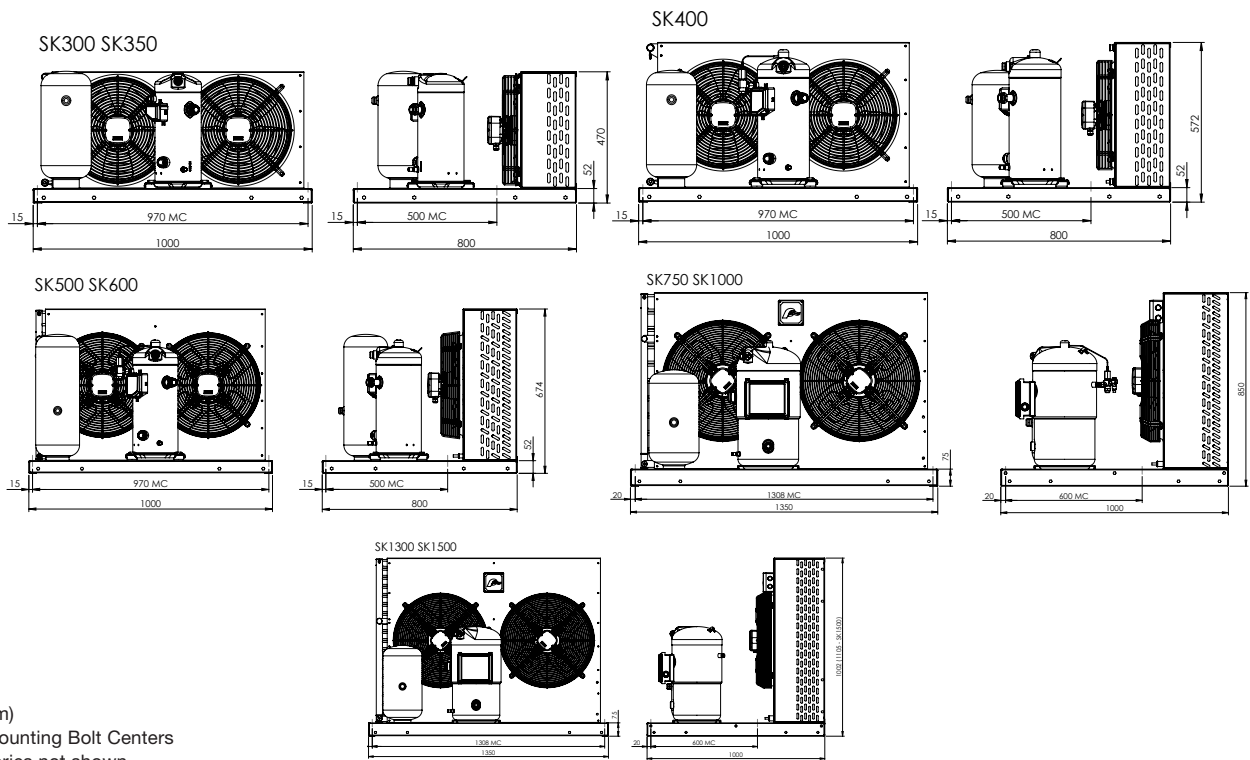
3 15 hp

Copeland

CAPACITY (Watts) @ 32°C Ambient

Model	Nom. hp	Refrigerant	Evaporating Temp °C									
			-40	-35	-30	-25	-20	-15	-10	-5	0	5
SK300	3.0	R22	1510	1910	2360	2890	3540	4260	5070	5940	6980	8070
		R404A	1680	2080	2580	3120	3740	4450	5250	6070	7070	8060
SK350	3.5	R22	1870	2350	2910	3550	4300	5160	6140	7190	8360	9650
		R404A	2050	2550	3160	3820	4580	5360	6320	7280	8320	9460
SK400	4.0	R22	2190	2730	3400	4160	5040	6070	7230	8490	9960	11510
		R404A	2500	3100	3770	4560	5450	6450	7580	8710	10100	11450
SK500	5.0	R22	2660	3320	4150	5090	6170	7410	8830	10330	12120	13980
		R404A	2930	3710	4570	5540	6650	7890	9300	10720	12280	13990
SK600	6.0	R22	3080	3880	4830	6000	7310	8740	10440	12380	14420	16670
		R404A	3470	4400	5410	6550	7860	9340	10850	12520	14340	16330
SK750	7.5	R22	3930	4900	6080	7430	8990	10810	12780	15150	17680	20490
		R404A	4250	5370	6620	8020	9610	11390	13210	15450	17660	20070
SK1000	10.0	R22	4950	6330	8100	10100	12400	14880	17740	20880	24110	27540
		R404A	5460	7380	9210	11210	13390	15560	18270	21020	24060	27490
SK1300	13.0	R22	7030	8530	10550	12520	15110	18170	21750	25660	30110	35140
		R404A	7040	9050	11380	13620	16270	19250	22250	25970	29610	33620
SK1500	15.0	R22	7490	9420	11630	14250	17320	20670	24740	29100	33980	39440
		R404A	8230	10230	12590	15330	18450	21660	25590	29480	33660	37350

DIMENSIONS



TECHNICAL DATA

MODEL	COMPRESSOR						CONDENSOR			RECEIVER	CONNECTION (3)		Noise Level (dba) (4)	Weight (kg)
	NOM. hp	MODEL	VOLTAGE	DISP m ³ /hr	RLA Amps	LRA Amps	Airflow l/sec	Fan Motor (1)		Capacity (kg) (2)	Rec. Outlet Valve	Comp. Suction Valve		
								Watts	Amps					
SK300	3.0	ZF09K4E-TFD	380-420/3/50	8.1	6.5	40.0	1460	290	1.5	6.2	1/2" F.Sw	7/8" F.Sw	61	62
SK350	3.5	ZF11K4E-TFD	380-420/3/50	10.0	7.8	46.0	1460	290	1.5	6.2	1/2" F.Sw	7/8" F.Sw	61	64
SK400	4.0	ZF13K4E-TFD	380-420/3/50	11.8	8.3	51.5	1510	290	1.5	6.2	1/2" F.Sw	7/8" F.Sw	61	83
SK500	5.0	ZF15K4E-TFD	380-420/3/50	14.5	10.7	64.0	1470	290	1.5	8.8	5/8" F.Sw	7/8" F.Sw	62	96
SK600	6.0	ZF18K4E-TFD	380-420/3/50	17.2	13.8	74.0	1550	520	3.0	8.8	5/8" F.Sw	7/8" F.Sw	66	97
SK750	7.5	ZF24K4E-TWD	380-420/3/50	21.9	16.1	99.0	2550	940	4.0	10.4	7/8" F.Sw	1-1/8" F.Sw	67	174
SK1000	10.0	ZF33K4E-TWD	380-420/3/50	28.9	22.3	127.0	2360	940	4.0	10.4	7/8" F.Sw	1-3/8" F.Sw	69	188
SK1300	13.0	ZF40K4E-TWD	380-420/3/50	35.8	25.1	167.0	2950	940	4.0	10.4	7/8" F.Sw	1-3/8" F.Sw	69	235
SK1500	15.0	ZF48K4E-TWD	380-420/3/50	42.1	30.6	198.0	3770	962	4.4	20.0	7/8" F.Sw	1-5/8" F.Sw	69	270

NOTES:

- ZF compressors must be used with liquid injection kit (-Q accessory) for all applications within shaded zones (refer to ratings)
- Fan motors are suitable for 220-240/1/50
- R404A pump down capacity shown @ 80% full for 32° C liquid temperature
- Max valve connection size shown. May reduce for different refrigerants & applications
- All noise level ratings are "free field" based at a distance of 3 mtrs from source and are given as a guide only
- *Capacity ratings are based on suction gas returning to compressor @ 20° C, without liquid sub-cooling. Ratings may be increased by approximately 1% for every 1.1 deg K of sub-cooling
- Standard condensers fitted. Ratings must not be extrapolated
- Check with Patton's nearest outlet for applications outside the specified range
- Pictured unit configuration subject to change and selected accessory options.

PATTON



The company reserves the right to make specification changes without notice. 01/01/2017

